



QUICK CONNECT®



Flexible Sprinkler Drop for Fire Protection

TECHNICAL DATA

- UL/FM Approved for Braided/UL Listed for Non-Braided
- Rated Pressure: 175 PSI
- Maximum Ambient Temperature: 225°F (107°C)
- Maximum Sprinkler K-factor for 1/2" outlet: 5.6 gal/mm/(psi)^{1/2}
- Maximum Sprinkler K-factor for 3/4" outlet: 8.0 gal/mm/(psi)^{1/2}
- Designed for use in wet and dry systems
- Minimum bend radius: 8" (190mm)
- Maximum Bends: 3 for the Flexible Sprinkler Hose: 1525mm, 1800mm length each
- 2 for the Flexible Sprinkler Hose: 915mm, 1220 mm length each
- 1 for the Flexible Sprinkler Hose: 610mm, 790mm length each
- Flexibility Type: Limited
- Intended use for direct connection to fire sprinklers
- Intended for use with drop ceilings, Quick Connect can be installed on intermediate and heavy duty ceilings



UL Listed & FM Approved for Fivalco®



Flexible sprinkler hose with fittings intended for use in sprinkler systems between the branch line and sprinkler when installed in accordance with ANSI/NFPA 13, ANSI/NFPA 13R, or ANSI/NFPA 13D, and the manufacturer's installation instructions.

See page 2 for installation instructions.

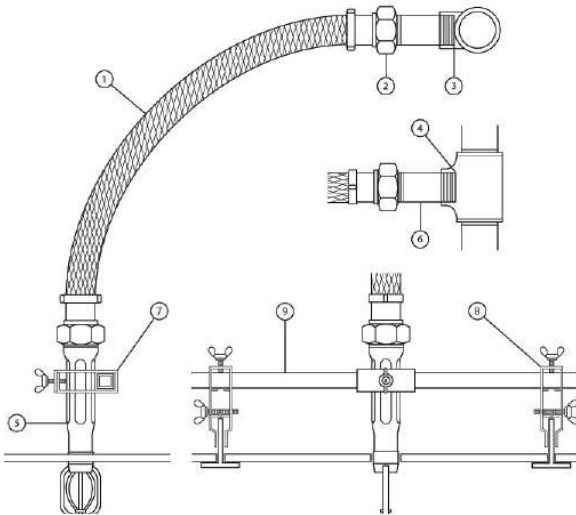
- Save Time & Money
- No cutting, no welding, no threading
- Perfect for retrofit applications
- Easy to move for layout changes



COMPONENT LIST

NO	Part Name	Material	QTY
1	Flexible Tube	SS304	1
2	Nut	S10C	2
3	Isolation Ring	Nylon66	1
4	O-Ring	Silicon	1
5	Reducer	Zinc Plated Steel	1
6	Nipple	Zinc Plated Steel	1
7	Center Bracket	Steel	1
8	End Bracket	Steel	2
9	Square Bar	GI Pipe	1

Anchoring components are intended for use with drop ceilings conforming to ASTM C635 and other major standards when installed in accordance with the standard practice for installation of metal ceiling suspension systems for acoustical tile and lay-in panel, ASTM C636 or other equivalent standards.



UNBRAIDED



Length	1/2" NPT		3/4" NPT		Maximum # of Bends
	ITEM #	Equivalent Length of 1 ft Sch 40 Pipe	ITEM #	Equivalent Length of 1 ft Sch 40 Pipe	
28" (0.6 m)	6530160	19 ft (5.8 m)	6530170	27 ft (8.2 m)	1
39" (0.9 m)	6530161	42 ft (12.8 m)	6530171	47 ft (14.3 m)	2
48" (1.2 m)	6530162	53 ft (16.2 m)	6530172	49 ft (14.9 m)	2
60" (1.5 m)	6530163	68 ft (20.7 m)	6530173	73 ft (22.2 m)	3
72" (1.8 m)	6530164	94 ft (28.7 m)	6530174	99 ft (30.1 m)	3

*OPTIONS:

6530180:
3/4" reducing nipple

6530185:
3-7/8" end brackets for concealed heads

6530186:
Packaged pre-assembled (Square bar, Two End Brackets and Center Bracket) \$2.00 ea.

BRAIDED



UL Listed & FM Approved for Fivalco®

Length	1/2" NPT		3/4" NPT		Maximum # of Bends
	ITEM #	Equivalent Length of 1 ft Sch 40 Pipe	ITEM #	Equivalent Length of 1 ft Sch 40 Pipe	
28" (0.6 m)	6530165	19 ft (5.8 m)	6530175	27 ft (8.2 m)	1
39" (0.9 m)	6530166	42 ft (12.8 m)	6530176	47 ft (14.3 m)	2
48" (1.2 m)	6530167	53 ft (16.2 m)	6530177	49 ft (14.9 m)	2
60" (1.5 m)	6530168	68 ft (20.7 m)	6530178	73 ft (22.2 m)	3
72" (1.8 m)	6530169	94 ft (28.7 m)	6530179	99 ft (30.1 m)	3

(866) 309-9899

Jared@Argco.com

Assembly Instructions

A. Connecting the Reducer



Disconnect the reducer by turning the nut (not the reducer) from the flexibility hose. Check that the gasket and isolation ring are properly in place. Reconnect the Reducer to the Flexible Sprinkler by turning the nut. Two open ended spanners (or adjustable wrenches) should be used to tighten the nut closely to ensure a leak proof connection. Recommended torque for the work is 300 kgf.cm. **Do not over tighten.**

B. Connecting the nipple to the piping



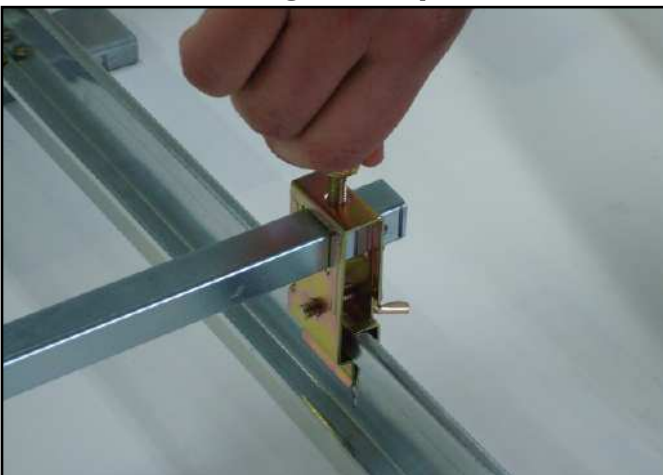
Disconnect the nipple from the Flexible Sprinkler. Connect the nipple to the main piping with normal sealing procedures, including PTFE (teflon tape) thread sealant and tighten using a pipe wrench to ensure a leak-proof connection. Recommended torque for this work is 950-1000 kfg.cm.

Do not over tighten.

Make sure the gasket and isolation ring are properly located at the end of the Flexible Hose before connecting the hose to the main piping system.

Connect the Flexible hose to the Nipple by finally tightening the nut.

C. Connecting the Square bar to the Ceiling Structure



Place the two end brackets properly into position. Push the end brackets into the ceiling structure rails and check the end brackets sit securely on the rails. Fasten the wing bolts on the side of the end brackets finger tight (The maximum distance between two end brackets is 1500mm and minimum 600 mm). **Do not over tighten.**



Insert the reducer from the side of the center bracket in a horizontal direction (not from the top vertically). Adjust the angle of the reducer by turning it gently into the bracket. Recommended torque for this work is 25-30 kfg.cm. **Do not over tighten.**